



Checktel s2v-50-rss

Call Recorder VoIP - SIP

Checktel VoIP Call Recorder, line side VoIP call recorder, 50 concurrent calls

Description

Company grade telephone call recording.

Checktel Call Recording solutions offers high quality and company wide automatic call recording. Implemented on the line side / network side at the customers premise, Checktel can be used with any make or model PABX.

Mainly software based and therefore competitive priced.

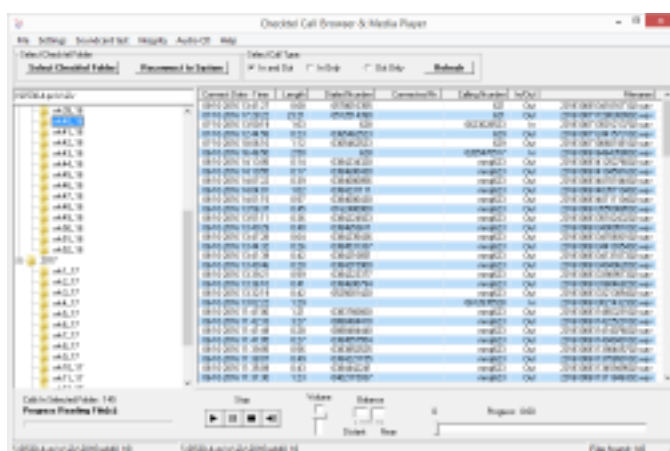
Software application on Windows platform for both recording and playback.

Original sound quality with two sound channels. No compression or merging of channels, therefore excellent sound quality at reproduction.

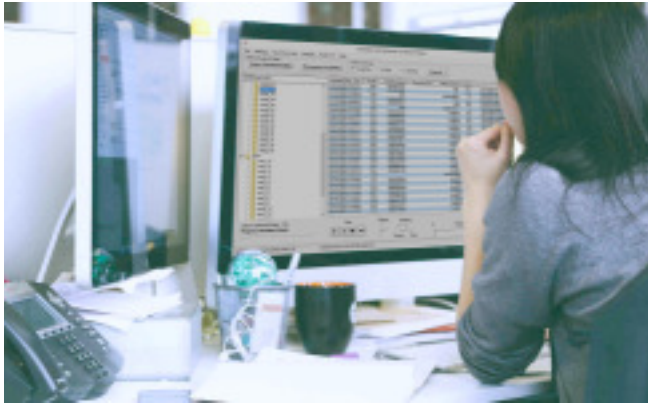
Recorded calls can be played back on all major platforms.

Features

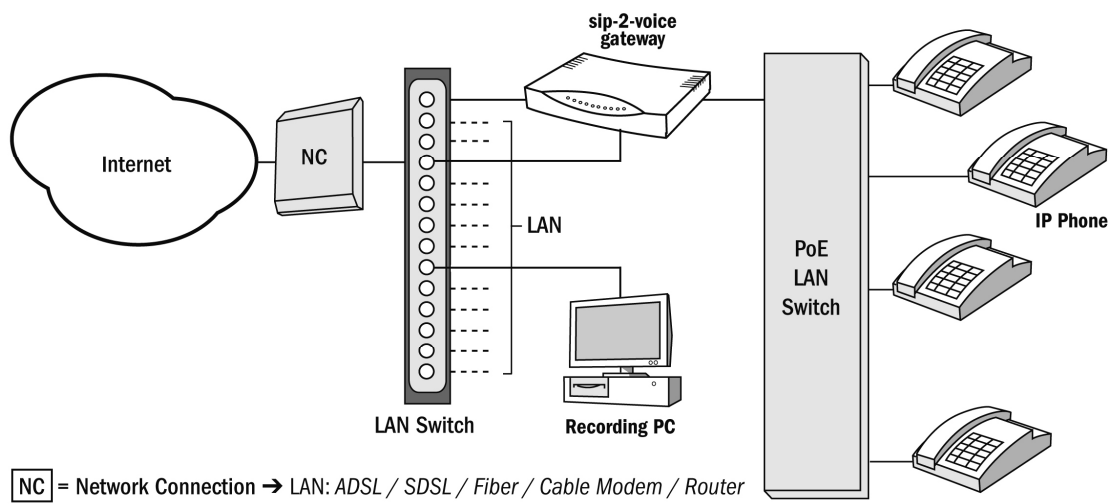
- automatic call recording both incoming and outgoing telephone calls
- line side based: can be used with all telephony providers and telephone systems
- records all installed phones: wired, softphones, DECT, WiFi (BYOD) etc.
- recording of original digital voice data, no compression
- two separate audio channels (stereo) for near and distant party
- easy to use multi user search and playback software
- recorded calls can be played on all platforms
- calls can be exported to audio CD
- integrity check secures non manipulation



screenshot recording software



typical application



typical implementation



Checktel hardware: 19" enclosure: 1U height, silver



Specifications

Technical details

network type	SIP trunk or hosted voice
connection type	Ethernet
number of lines	1
number of VoIP accounts	unlimited
concurrent calls	50
expandable	yes
SIP version	2.0
supported codecs	G.711A, G.711mu, G.722, G.729
encryption	SRTP
connection to recording system	Ethernet

Hardware

SIP 2 Voice gateway	1
Ethernet ports 100 Mbits/s	2
Ethernet LAN 100 Mbits/s	1

Recording software

platform	Windows desktop, Windows Server, all versions
recording format	open standards

Playback software

multi user	Yes
additional licences	no
platform	Windows
Windows versions	all
Connection with server	LAN/Ethernet

Conditions

conditions for use	user supplied Windows system and VoIP/SIP account
--------------------	---

Packaging content

SIP 2 Voice gateway	19 inch, 1U (44/48 x23x4 cm)
Mains connection	90..260v-50/60Hz AC, IEC 60320 C14
software package	recording software, playback software

Packaging weight and dimensions

width	520 mm
depth	320 mm
height	120 mm
weight	3.300 g

GTIN

EAN: 7091171171890
Model: s2v-50-rss
Order nr.: 2934620

